



DEPARTMENT OF REGULATORY AND ECONOMIC RESOURCES (RER)
BOARD AND CODE ADMINISTRATION DIVISION

NOTICE OF ACCEPTANCE (NOA)

MIAMI-DADE COUNTY
PRODUCT CONTROL SECTION
11805 SW 26 Street, Room 208
Miami, Florida 33175-2474
T (786) 315-2590 F (786) 315-2599
www.miamidadegov/economy

3A Composites USA Inc.
P.O. Box 507, 208 West 5th Street
Benton, KY 42025

SCOPE:

This NOA is being issued under the applicable rules and regulations governing the use of construction materials. The documentation submitted has been reviewed and accepted by Miami-Dade County RER-Product Control Section to be used in Miami Dade County and other areas where allowed by the Authority Having Jurisdiction (AHJ).

This NOA shall not be valid after the expiration date stated below. The Miami-Dade County Product Control Section (In Miami Dade County) and/or the AHJ (in areas other than Miami Dade County) reserve the right to have this product or material tested for quality assurance purposes. If this product or material fails to perform in the accepted manner, the manufacturer will incur the expense of such testing and the AHJ may immediately revoke, modify, or suspend the use of such product or material within their jurisdiction. RER reserves the right to revoke this acceptance, if it is determined by Miami-Dade County Product Control Section that this product or material fails to meet the requirements of the applicable building code.

This product is approved as described herein, and has been designed to comply with the Florida Building Code, including the High Velocity Hurricane Zone.

DESCRIPTION: Alucobond Plus Aluminum Composite Wall Panels

APPROVAL DOCUMENT: Drawing No. ALUPLUS-1, titled "Dade Co. Alucobond Plus", sheets 1 through 4 of 4, dated 01/27/2009, 09/12/2008 and 09/16/2008, with revisions dated 11/30/2010 and 10/01/2010, prepared by 3A Composites USA Inc, signed and sealed by Allen N. Reeves, P.E., bearing the Miami-Dade County Product Control renewal stamp with the Notice of Acceptance number and expiration date by the Miami-Dade County Product Control Section.

MISSILE IMPACT RATING: Small Missile Impact Resistant

LABELING: Each unit shall bear a permanent label with the manufacturer's name or logo, city, state, model/series, and following statement: "Miami-Dade County Product Control Approved", unless otherwise noted herein.

RENEWAL of this NOA shall be considered after a renewal application has been filed and there has been no change in the applicable building code negatively affecting the performance of this product.

TERMINATION of this NOA will occur after the expiration date or if there has been a revision or change in the materials, use, and/or manufacture of the product or process. Misuse of this NOA as an endorsement of any product, for sales, advertising or any other purposes shall automatically terminate this NOA. Failure to comply with any section of this NOA shall be cause for termination and removal of NOA.

ADVERTISEMENT: The NOA number preceded by the words Miami-Dade County, Florida, and followed by the expiration date may be displayed in advertising literature. If any portion of the NOA is displayed, then it shall be done in its entirety.

INSPECTION: A copy of this entire NOA shall be provided to the user by the manufacturer or its distributors and shall be available for inspection at the job site at the request of the Building Official.

This NOA renews NOA # 12-0125.22 and consists of this page 1 and evidence pages E-1 and E-2, as well as approval document mentioned above.

The submitted documentation was reviewed by Carlos M. Utrera, P.E.



Handwritten signature and date: 12/18/2015

NOA No. 15-0923.03
Expiration Date: December 14, 2020
Approval Date: December 31, 2015
Page 1

NOTICE OF ACCEPTANCE: EVIDENCE SUBMITTED

A. DRAWINGS *“Submitted under NOA # 10-1101.01”*

1. Drawing No. **ALUPLUS-1** titled “Dade Co. Alucobond Plus”, sheets 1 through 4 of 4, dated 01/27/2009, 09/12/2008 and 09/16/2008, with revisions dated 11/30/2010 and 10/01/2010, prepared by 3A Composites USA Inc, signed and sealed by Allen N. Reeves, P.E.

B. TESTS *“Submitted under NOA # 10-1101.01”*


1. Test report on Self Ignition Temperature per ASTM D1929 on “Alucobond Plus Core”, prepared by Southwest Research Institute, Project No. **01.16052.01.601**, dated 11/04/2010, signed by Barry L. Badders, Jr., P.E.
2. Test report on Surface Burning Characteristics per ASTM E84 on “3-MM Thick Polyethylene Compound with inorganic fillers” prepared by Southwest Research Institute, Project No. **01.16045.01.025**, dated 11/15/2010, signed and sealed by Barry L. Badders, Jr., P.E.
3. Test report on Time of Burning per ASTM D635 on “Alucobond Plus Core” prepared by Southwest Research Institute, Project No. **01.16049.04.013**, dated 11/10/2010, signed and sealed by Barry L. Badders, Jr., P.E.

“Submitted under NOA # 05-1102.08”

4. Test report on Small Missile Impact test, Cyclic Wind Pressure test and Uniform Static Air Pressure test and Air Infiltration test per PA 201, 202 & 203 on “Alucobond plus Composite Aluminum Panels”, prepared by Architectural Testing Inc., Report No. **ATI-02031**, dated 01/02/2003, signed and sealed by J. A. Reeves, P.E.
5. Panel Evaluation test report on “Alucobond Plus Polyethylene Blended Compound Core” prepared by Architectural Testing, Report No. **01-35709.04**, dated 04/07/2003, signed and sealed by J. A. Reeves, P.E.

C. CALCULATIONS *“Submitted under NOA # 08-1210.09”*

1. Anchoring verification calculations prepared by HR Engineering, Inc, dated 09/03/2008, signed and sealed by Allen N. Reeves, P.E.



Carlos M. Utrera, P.E.
Product Control Examiner
NOA No. 15-0923.03
Expiration Date: December 14, 2020
Approval Date: December 31, 2015

NOTICE OF ACCEPTANCE: EVIDENCE SUBMITTED

D. QUALITY ASSURANCE

1. Miami-Dade Department of Regulatory and Economic Resources (RER)

E. MATERIAL CERTIFICATIONS

1. None.

F. STATEMENTS

1. Statement letter of code conformance to the 5th edition (2014) FBC issued by HR Engineering, Inc, dated 07/27/2015, signed and sealed by Allen N. Reeves, P.E.

“Submitted under NOA # 12-0125.22”

2. Statement letter of no financial interest issued by HR Engineering, Inc, dated 12/06/2011, signed and sealed by Allen N. Reeves, P.E.



Carlos M. Utrera, P.E.
Product Control Examiner
NOA No. 15-0923.03
Expiration Date: December 14, 2020
Approval Date: December 31, 2015

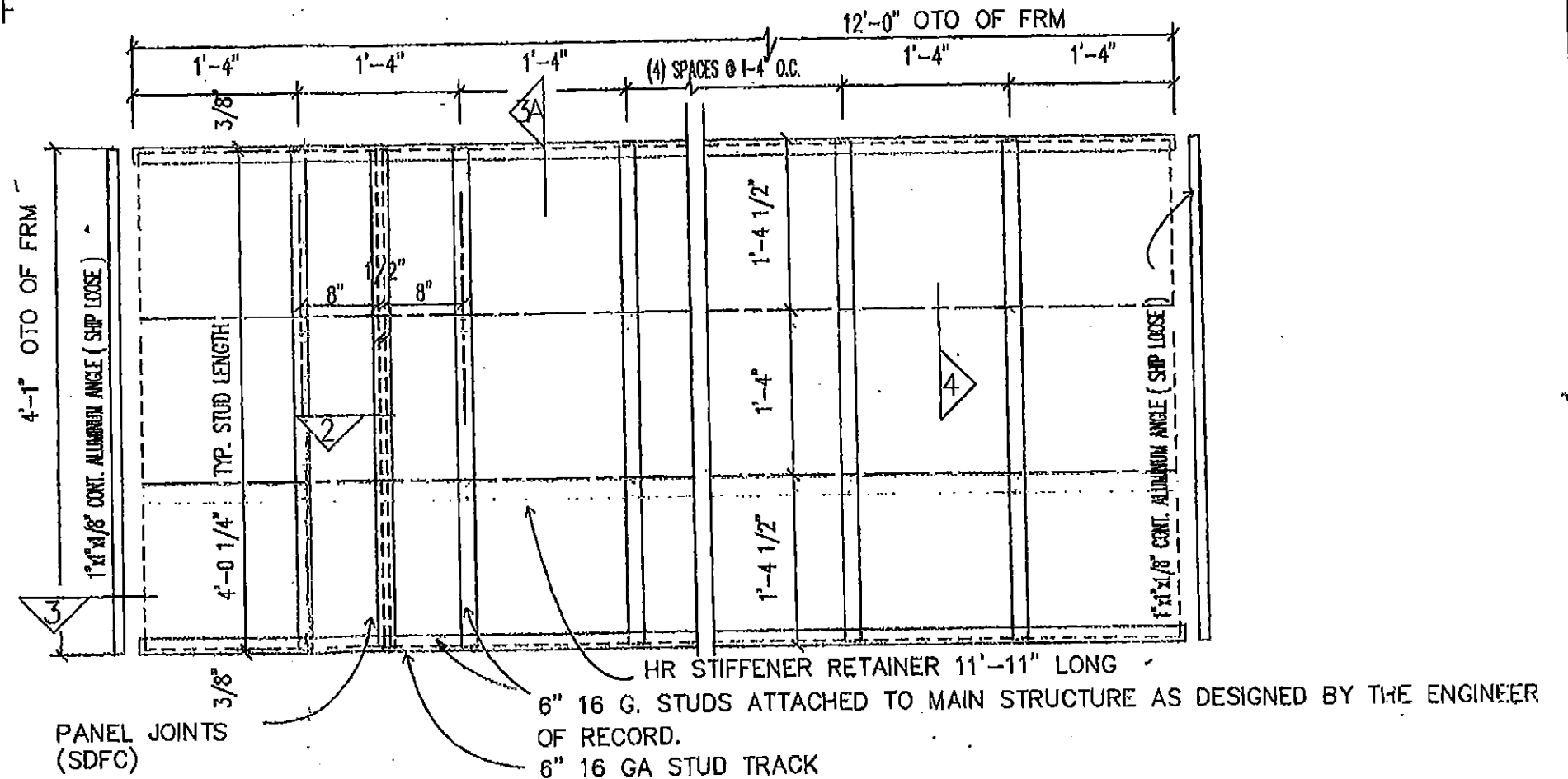
DESCRIPTION:

THIS IS 4mm THICK ALUCOBOND PLUS, NON-FIRE RATED COMPOSITE PANELS CONSISTING OF TWO .020" ALUMINUM FACE SHEETS WITH A PE COMPOUND CORE. PANEL EDGES ARE FOLDED OVER AND THE FOLDED CORNERS ARE REINFORCED WITH .035" THICK ALUMINUM CORNER ANGLES WHICH ARE ATTACHED WITH #10 X 3/4" SHEET METAL SCREWS. ATTACHMENT SYSTEM BY: JOHN W. MCDUGALL CO., NASHVILLE, TN.

DESIGN PRESSURE RATING
+153.3 PSF - 153.3 PSF
SMALL MISSILE IMPACT RESISTANCE

MATERIAL CHARACTERISTICS:

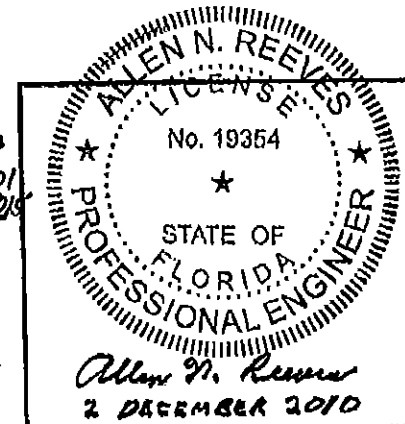
- | | | |
|---------------------------|-----------|---------------------------|
| 1. CORE MATERIAL | ASTM TEST | ALUCOBOND PLUS PROPERTIES |
| SELF-IGNITION TEMP. | D1929 | 806 DF |
| FLASH IGNITION TEMP. | D1929 | 752 DF |
| AVG. TIME OF BURNING | D635 | HB |
| AVG. EXT. OF BURNING | D635 | HB |
| FLAME SPREAD INDEX (CORE) | E84 | 35 |
| SMOKE DEV. INDEX (CORE) | E84 | 70 |
-
- | | |
|----------------------------------|-----------------|
| 2. ALUMINUM SKINS ALUCOBOND PLUS | |
| THICKNESS | 0.02 INCHES |
| ALLOY (TYP.) | 3000 SERIES-H24 |
| FINISH (TYP.) | PVDF PAINT |
-
- | | |
|-------------------------------|-----------------------|
| 3. PANEL SIZES ALUCOBOND PLUS | |
| WIDTH | 39.37" (1.00M) TO 62" |
| LENGTH | 2' to 28' |
| THICKNESS | 0.16 INCHES (4.00 mm) |




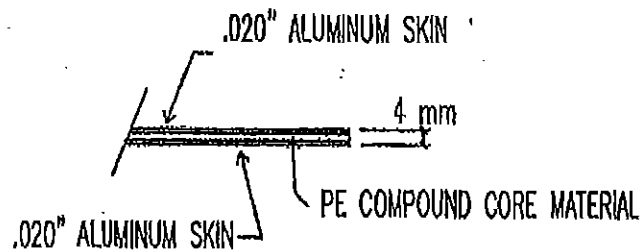
PRODUCT RENEWED
as complying with the Florida
Building Code
Acceptance No 15-0923.03
Expiration Date 12/19/2020
By *[Signature]*
Miami Dade Product Control

PRODUCT REVISED
as complying with the Florida
Building Code
Acceptance No 12-0125.22
Expiration Date 12/19/2015
By *[Signature]*
Miami Dade Product Control

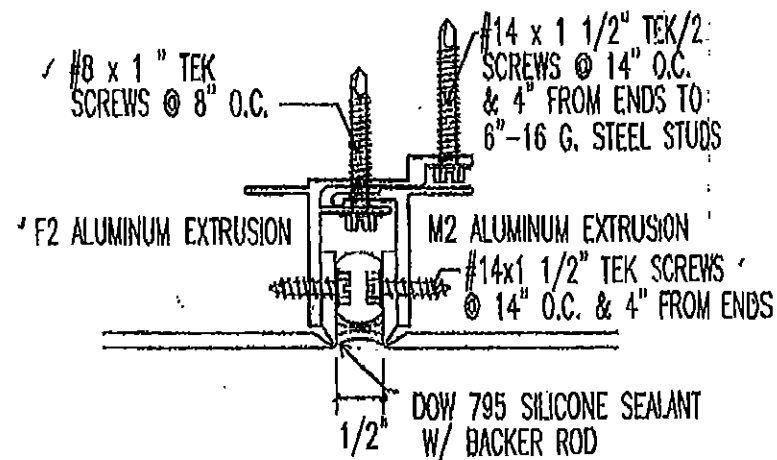
PRODUCT RENEWED
as complying with the Florida
Building Code
Acceptance No 10-1101.01
Expiration Date 12/19/2015
By *[Signature]*
Miami Dade Product Control



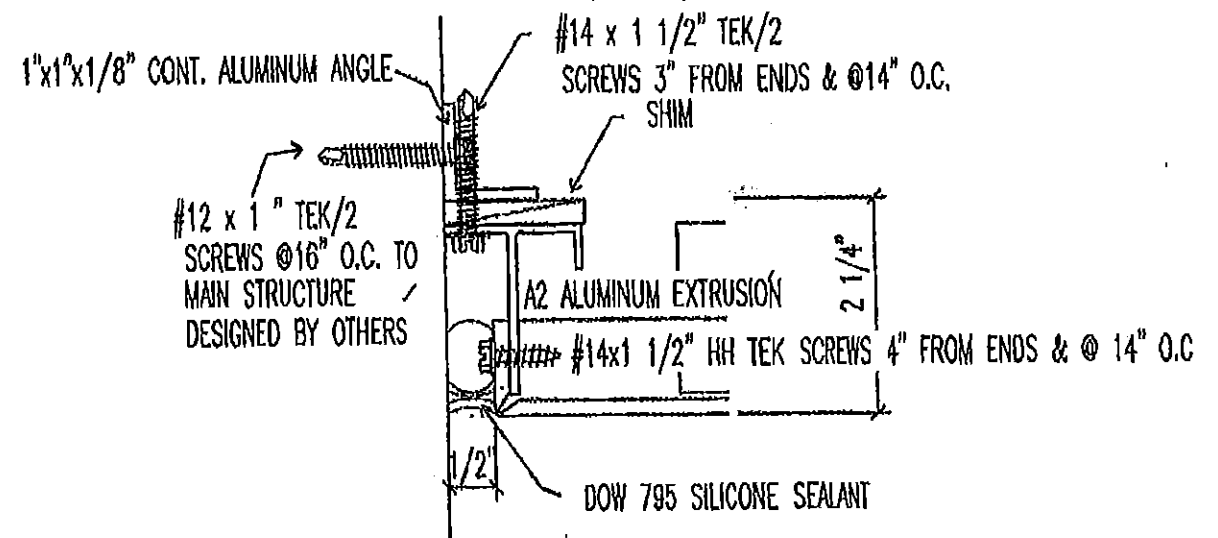
 3A Composites USA Inc. 208 WEST 6TH STREET BENTON, KY. 42025 270-527-4200			
		TITLE: DADE CO. - ALUCOBOND PLUS ON METAL STUDS	
DWG NO.:	SHT NO.:	DWG DATE:	REV. DATE:
ALUPLUS-1	1	01-27-09	11-30-10
ALLEN N. REEVES, P.E. STRUCTURAL ENGINEER FLORIDA #19354			



① PANEL SECTION

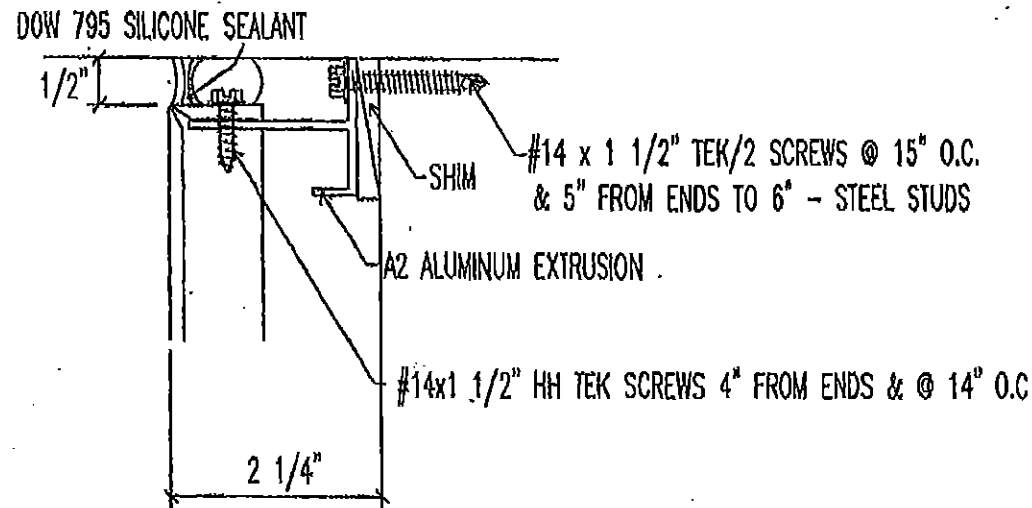


② PANEL JOINTS

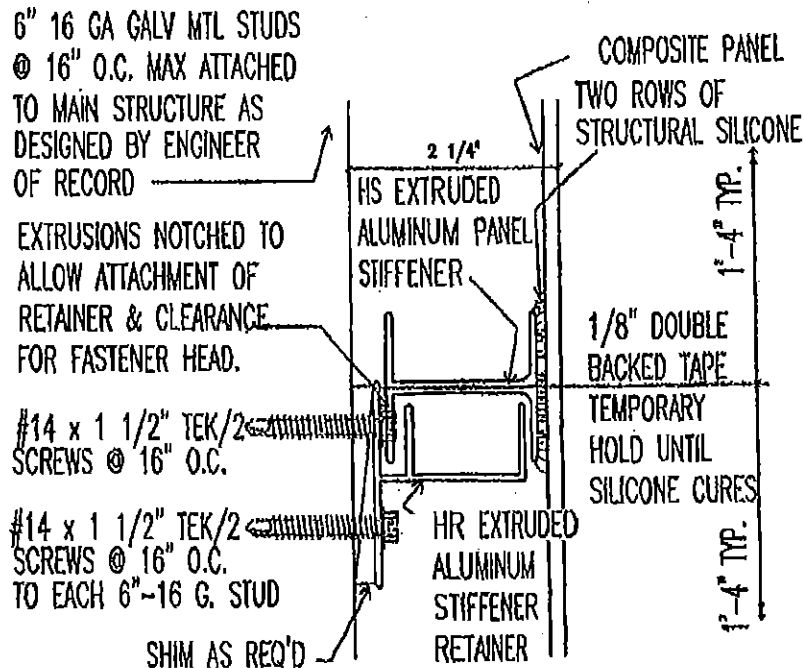


③ PANEL PERIMETER

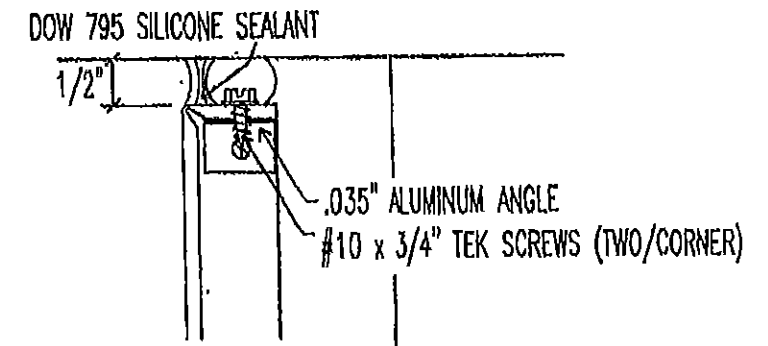
PRODUCT RENEWED
as complying with the Florida
Building Code
Acceptance No 15-0123.03
Expiration Date 12/14/2010
By *[Signature]*
Miami Dade Product Control



③a PANEL PERIMETER (TOP & BOTTOM)



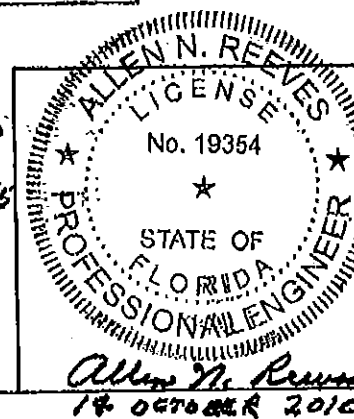
④ PANEL STIFFENER RETAINER



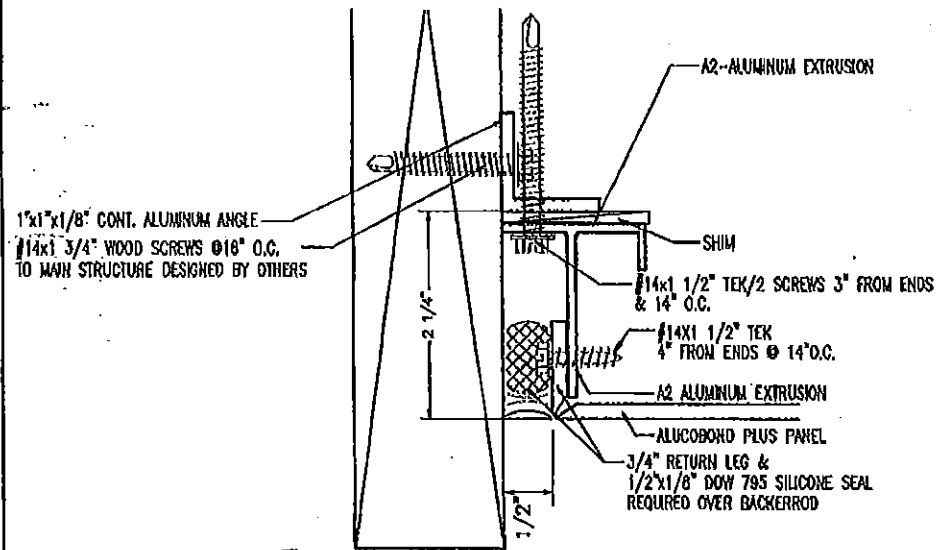
⑤ PANEL - INSIDE CORNER

PRODUCT REVISED
as complying with the Florida
Building Code
Acceptance No 12-0125.22
Expiration Date 12/14/2015
By *[Signature]*
Miami Dade Product Control

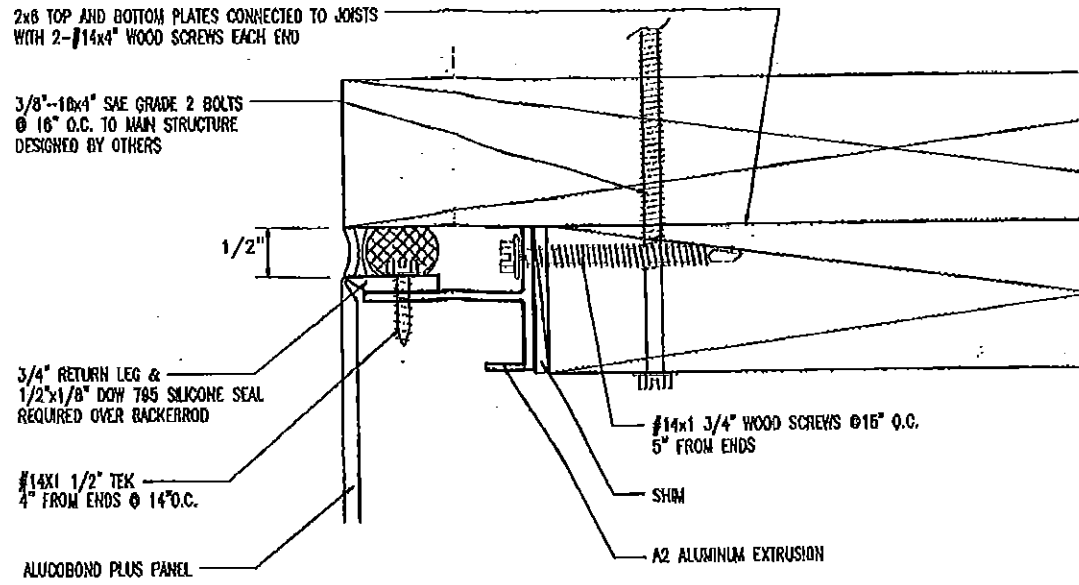
PRODUCT RENEWED
as complying with the Florida
Building Code
Acceptance No 10-1101.01
Expiration Date 12/14/2015
By *[Signature]*
Miami Dade Product Control



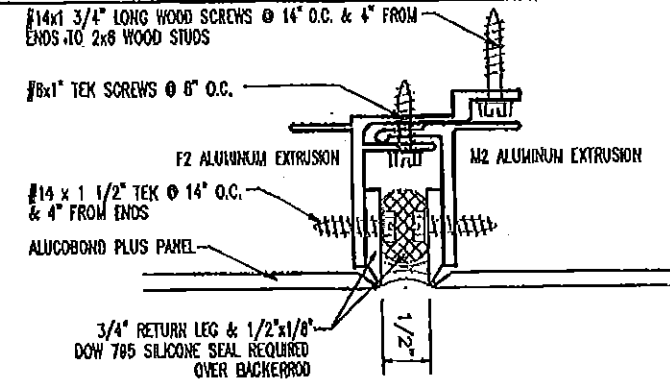
3A Composites USA Inc. 208 WEST 5TH STREET BENTON, KY. 42025 270-827-4200			
COMPOSITES			
TITLE: DADE CO. - ALUCOBOND PLUS ON METAL STUDS			
DWG NO.:	SHT NO.:	DWG DATE:	REV. DATE:
ALUPLUS-1	2	01-27-09	10-01-10
ALLEN N. REEVES, P.E. STRUCTURAL ENGINEER FLORIDA #19354			



8 PERIMETER DETAIL (SIDES)



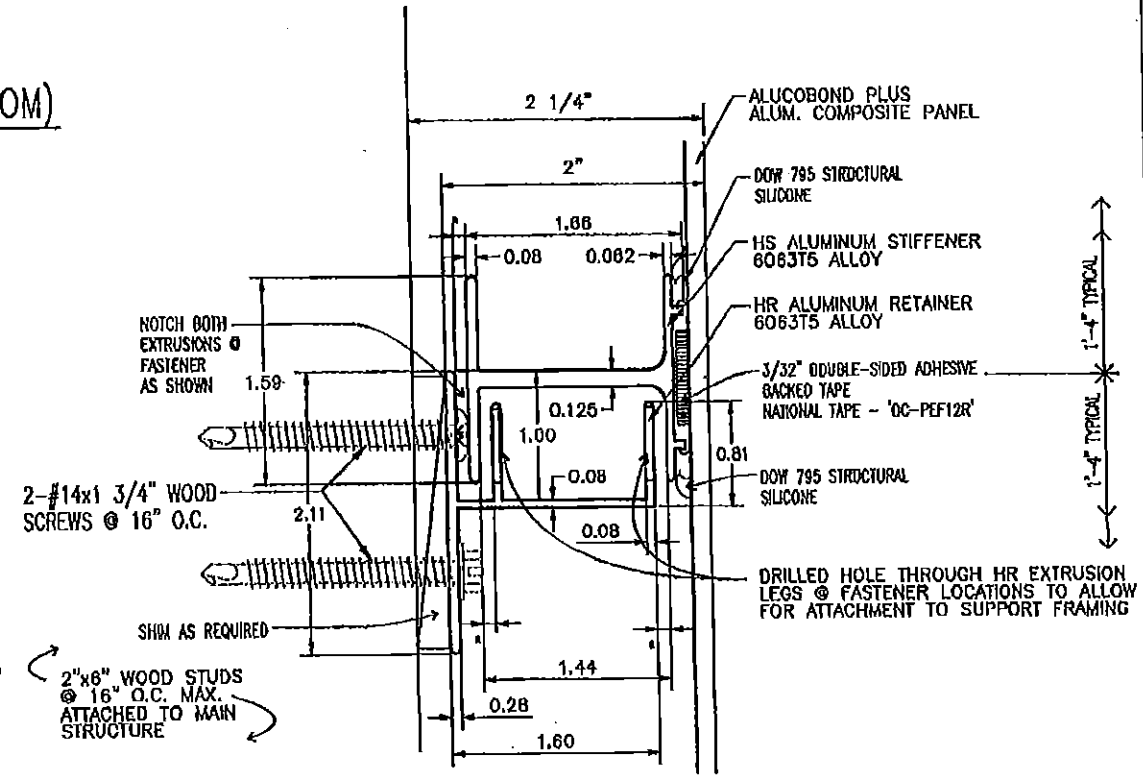
9 PERIMETER DETAIL (TOP & BOTTOM)



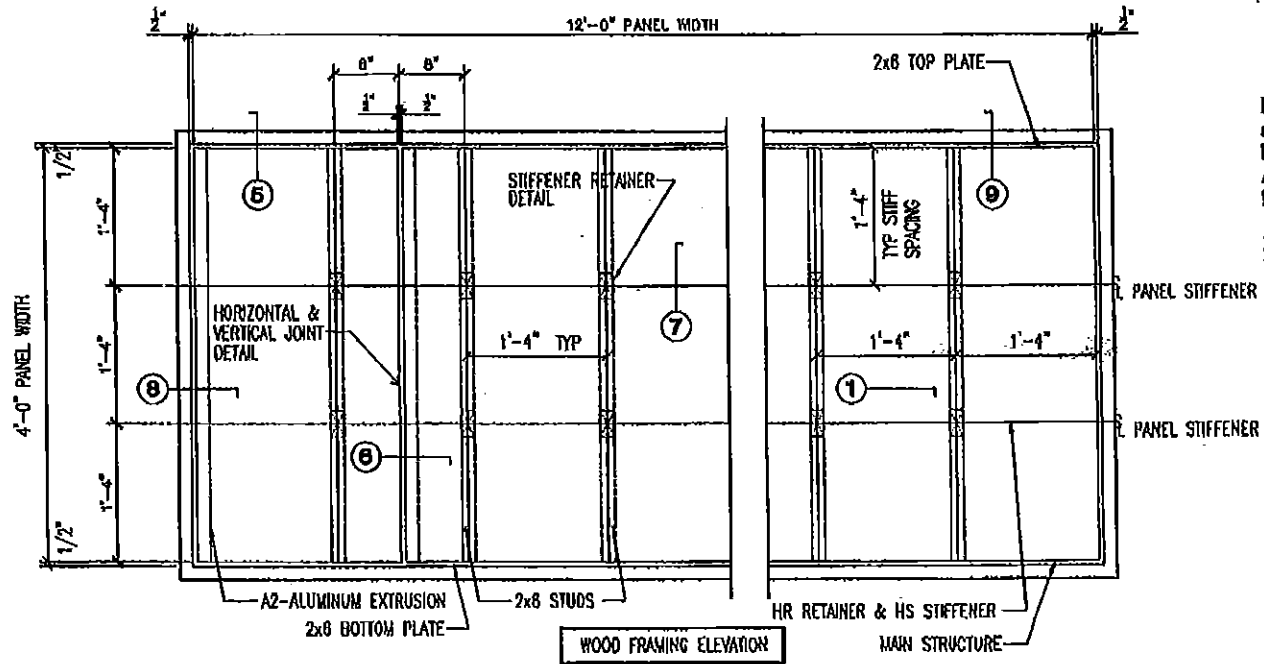
6 HORIZONTAL & VERTICAL JT DETAIL

PRODUCT RENEWED
as complying with the Florida
Building Code
Acceptance No. 15-0923.03
Expiration Date 12/19/2020
By *[Signature]*
Miami Dade Product Control

DESIGN PRESSURE RATING
+153.3 PSF - 153.3 PSF
SMALL MISSILE IMPACT RESISTANCE

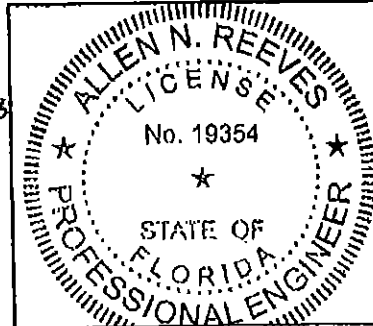


7 STIFFENER RETAINER DETAIL



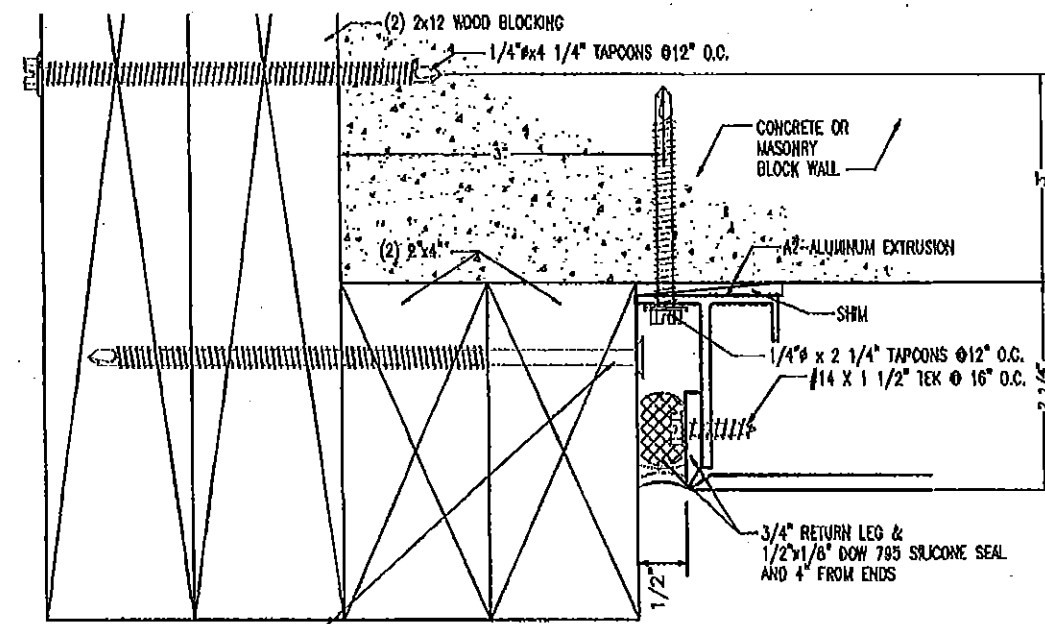
PRODUCT REVISED
as complying with the Florida
Building Code
Acceptance No. 12-0125.22
Expiration Date 12/19/2015
By *[Signature]*
Miami Dade Product Control

PRODUCT RENEWED
as complying with the Florida
Building Code
Acceptance No. 10-1101.01
Expiration Date 12/19/2015
By *[Signature]*
Miami Dade Product Control



3A Composites USA Inc. 208 WEST 6TH STREET BENTON, KY. 42025 270-627-4200			
TITLE: DADE CO. - ALUCOBOND PLUS ON WOOD STUDS			
DWG NO.:	SHT NO.:	DWG DATE:	REV. DATE:
ALUPLUS-1	8	09-12-08	10-01-10
ALLEN N. REEVES, P.E. STRUCTURAL ENGINEER FLORIDA #19354			

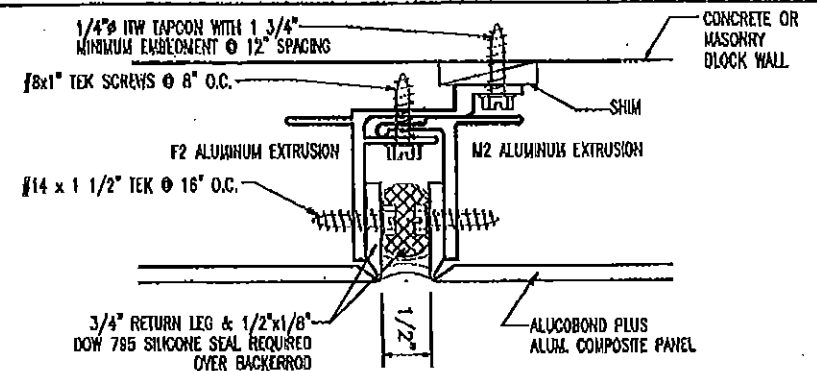
Allen N. Reeves
12 OCTOBER 2010



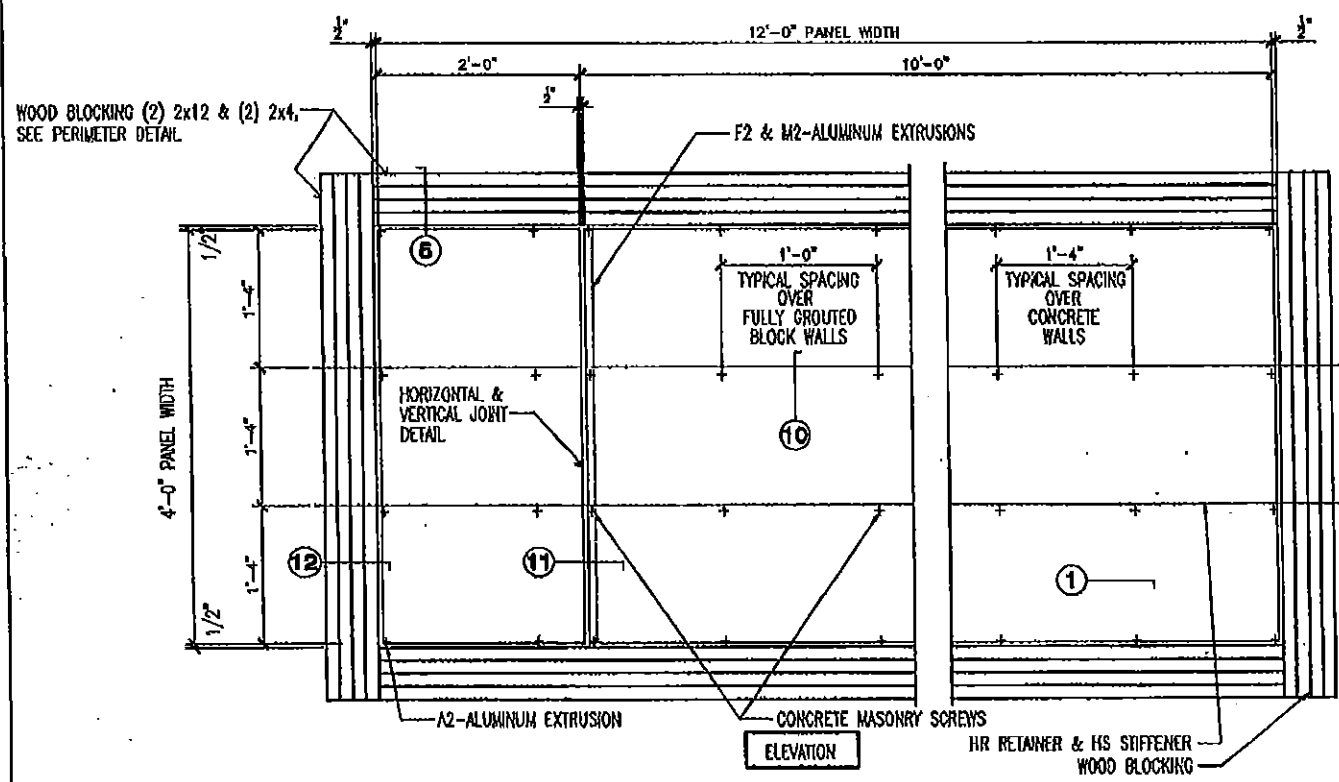
12 PERIMETER DETAIL

DESIGN PRESSURE RATING
 +153.3 PSF - 153.3 PSF
 LARGE MISSILE IMPACT RESISTANCE
 INSTALLED IN FRONT OF CONCRETE
 & FULLY GROUTED MASONRY BLOCK WALLS

1. CONCRETE IN WALLS TO HAVE MINIMUM $F'_c = 3,200\text{psi}$
2. MASONRY BLOCK IN WALLS TO BE ASTM C 90 TYPE.



11 HORIZONTAL & VERTICAL JT DETAIL

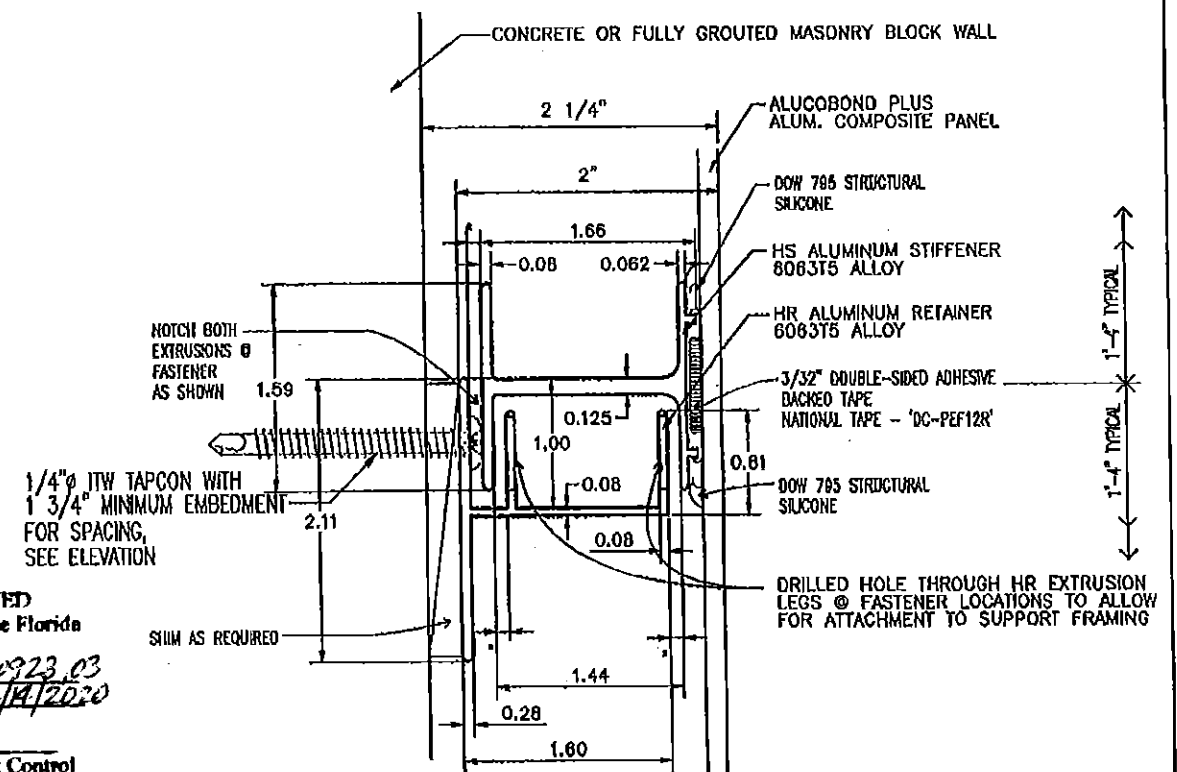


ELEVATION

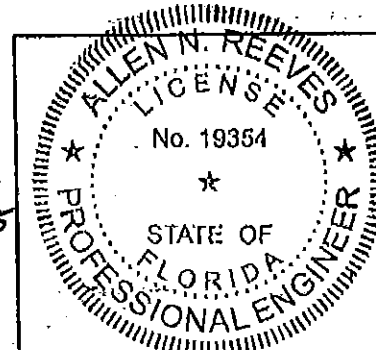
PRODUCT RENEWED
 as complying with the Florida
 Building Code
 Acceptance No 15-0923.03
 Expiration Date 12/19/2020
 By *[Signature]*
 Miami Dade Product Control

PRODUCT REVISED
 as complying with the Florida
 Building Code
 Acceptance No 12-025.22
 Expiration Date 12/14/2015
 By *[Signature]*
 Miami Dade Product Control

PRODUCT RENEWED
 as complying with the Florida
 Building Code
 Acceptance No 10-1101.01
 Expiration Date 12/19/2015
 By *[Signature]*
 Miami Dade Product Control



10 STIFFENER RETAINER DETAIL



3A Composites USA Inc. 208 WEST 5TH STREET BENTON, KY. 42025 270-627-4200			
TITLE: DADE CO. - ALUCOBOND PLUS ON CONCRETE OR MASONRY BLOCK			
DWG NO.:	SHT NO.:	DWG DATE:	REV. DATE:
ALUPLUS-1	4	08-16-08	10-01-10
ALLEN N. REEVES, P.E. STRUCTURAL ENGINEER FLORIDA #19354			

Allen N. Reeves
 14 OCTOBER 2010